

# DISPENSING SYSTEMS



C O S M E T I C P A C K A G I N G I N N O V A T I O N S

# CREATING & DESIGNING COSMETIC PACKAGING SOLUTIONS SINCE 1975

## CERTIFICATIONS

Lumson Headquarters and both its manufacturing sites in Capergnanica (CR) and in S. Maria di Sala (VE) are certified UNI EN ISO 9001:2008.

Lumson Headquarters and the manufacturing site in Capergnanica (CR) is certified UNI EN ISO 14001.



## RESEARCH & DEVELOPMENT

### Lumson Design Team

creates new packaging collections according to the latest Design and Fashion trends or to the rising market needs.

### Lumson Technical Dept.

develops the ideas using the latest technologies and a high level of innovation.

### Lumson Validation Dept.

checks, tests and validates every single item, to ensure they are made and manufactured according to Lumson's standards.

## MANUFACTURING

Lumson uses the latest technologies and advanced machinery to ensure a perfect manufacturing process.

## MANUFACTURING LINES (IN HOUSE)

Injection Moulding, Blow Moulding, Injection/ Blow Moulding, Assembling, Dispensing Systems and Pumps, Spray Coloring, Screen Printing on Glass, Hot Stamping on Glass, Screen Printing on Plastic, Hot Stamping on Plastic, Tampo Printing.

## QUALITY CONTROL

All production processes are continuously monitored by Lumson QC Dept. to verify they meet Lumson's quality standards.

## BOTTLES & JARS

Airless with Glass bottles, Airless with Plastic bottles, Plastic bottles, Glass bottles, Glass jars.

## DISPENSING SYSTEMS

Airless Systems, Cosmetic Pumps, Cosmetic Dispensers, Droppers, Dispensing Caps, Flip tops.

## ACCESSORIES

Covers, Overcaps, Screw Caps, High Sealing Gaskets, Cosmetic accessories.

# INDEX

Purity Pumps	pag. 8
Smart Pumps	pag. 15
Horizon Pumps	pag. 31
Twist&Click Pumps	pag. 40
Cosmetic Droppers	pag. 43
Cosmetic Droppers Push Down Button	pag. 49
Overcaps	pag. 54

## DISPENSING SOLUTIONS: CHALLENGES IN COSMETIC PRODUCTS

Currently cosmetic and personal care formulations are evolving to ensure a proper response to meet consumer's request: **Evolution** around their ingredients to be more natural/organic. **Evolution** around their texture, emulsion and dispersion into a gel or lotion. **Evolution** in terms of regulation for more security.

All the product segments are impacted by these changes: including foundation, facial care, body treatment, baby care and hair care.

All dosage ranges must fit consumers' needs: these include the need for the system to be hygienic, ergonomic and to ensure a safe dosage for a more precise application.

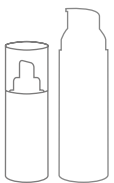


## LUMSON PUMPS RANGE

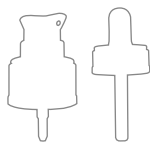
### IS THE ANSWER TO WHAT THE MARKET NEEDS

For more than 40 years, Lumson has been developing and producing dispensing systems in response to specific market needs. No matter what kind of formula, we ensure the appropriate system: Lotion Pump, Spray Pump or Dropper.

#### CURRENTLY, LUMSON OFFERS A WIDE RANGE OF DISPENSING SYSTEMS:



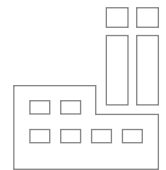
A variety of screw-on pumps and droppers fitting most standard glass or plastic bottles with 20/400 - 24/410 necks



A range of dosages available from small to high ones, for a perfect application. A range of dispensing options, including lotion pumps, spray pumps and droppers



A wide range of components to choose among, such as standard or lockable actuators, collars, gaskets, caps, or different types of rubbers to customize your pump or dropper



Throughout the over 100 million Lumson standard dispensing systems produced and sold worldwide, our R&D also develops custom dispensing systems on request

# DESIGN YOUR PUMP



**1 OVERCAP**  
Dustcover - Onebody  
PP - SAN  
Shiny/Matt

**2 ACTUATOR**  
Lotion  
Spray

**3 ENGINE**  
Purity  
Smart  
Horizon  
Twist & Click

**4 COLLAR**  
With clip on shoulder  
With rounded shoulder  
PP or PP+Aluminum Overshell  
Shiny/Matt/Milled

**5 GASKET**  
Tri Seal / Buna

**OUR PUMPS ARE AVAILABLE  
WITH FOLLOWING NECKS:**

GCM1 20/400HS  
GCM1 24/410  
GCM1 18/415  
24/415 - 28/400 - 28/410  
Special

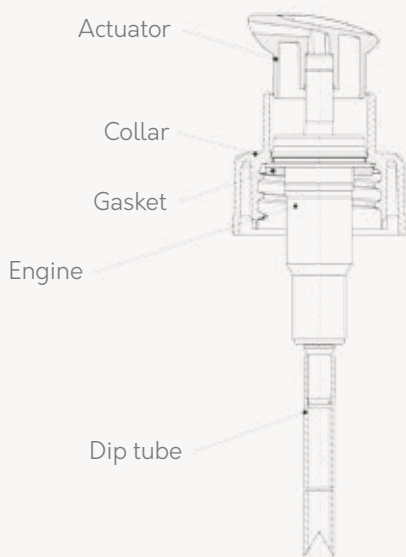
# FUNCTIONING & MANUFACTURE OF A PUMP

TO ENSURE THE DISPENSING OF VISCOUS OR LIQUID FORMULAS, LUMSON HAS DEVELOPED TWO TECHNOLOGIES FOR THE ENGINE TO SUPPLY DIFFERENT PUMPS SOLUTIONS:

## LOTION

### Lotion Engine

with soft dispensing, our lotion pumps are suitable for cleansing gels, body care and facial care creams.

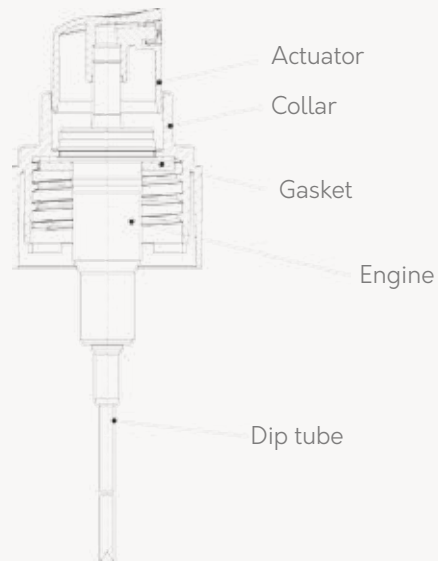


Lumson lotion engine is ideal for your viscous formulations and it allows them to be dispensed with ease and immediately, and thanks to the large path and soft spring, the integrity of the formula is respected. Our latest innovation also includes an engine which is highly compatible with most of your ingredients, due to the fact that there is no contact with the spring (metal free path version).

## SPRAY

### Spray Engine

with thin spraying it is perfect to dispense beauty care formulations. Our spray pumps are a good solution for sun care, make up fixers, body moisturizers, body oils or hair treatment products.






Lumson spray engine, thanks to its pre-compression, dispenses a fine mist with no dispersion.

Moreover, the engine allows a soft and smooth actuation, granting a superior spray quality. There is a large choice of inserts, allowing you to suit the spray to product's and market's needs.

# OUR RANGE OF COSMETIC PUMP

TO ENSURE THE BEST DOSAGE FOR YOUR FORMULA, LUMSON HAS DEVELOPED A LARGE RANGE OF PUMPS, WHICH WILL HELP YOU CHOOSING THE BEST DOSAGE FOR YOUR APPLICATION NEEDS:

## THE RANGE OF ENGINES SUITABLE TO YOUR APPLICATION FIELD:

Lotion for Cream		<b>S</b> <b>SMALL DOSAGE</b> for most of your local treatments, such as Eye Contour, Lip Care.
Spray for Liquid		<b>M</b> <b>MEDIUM DOSAGE</b> for most of your Facial Care, Foundation, Skin Care or Hair Care.
Dropper for Serum and Foundation		<b>L</b> <b>LARGE DOSAGE</b> for most of your Body Care brands.

	S	M	L
RANGE OF DOSAGE	130-230µl	230-500µl	1-3CC
APPLICATION AREA	Eye Care - Lip Care - Facial Care	Facial Care - Body Care - Hair Care	Body Care
LUMSON ENGINE			





# PURITY LOTION PUMP

THE PERFECT PARTNER FOR YOUR NATURAL  
AND PURE FORMULATION



## KEY BENEFITS

- High compatibility with most formulas, due to metal free path
- For viscous formulas
- Softness of the actuation
- Precise dosage +/-10%

		 ACTUATORS							 OVERCAPS										
NECK	COLLAR	DOSAGE (µl)	PEARL 223	SMILE 223	SMART HORIZON 152	SMART HORIZON 175	PEARL 175	SMILE 175	AURA CREMA 175	AB226 PP/ALUMINUM	HORIZON 20	AB285 PIATTO 20	AB285 BASSO 20	AB285 PIATTO 24	AA355	HORIZON 24	HORIZON DUSTCOVER	SAFETY CLIP PEARL 175	LUXEA 312
20/400	AB226 PP or ALU	150					●	●		●								●	
	AB285	150 230 250			●	●	●	●			●	●	●	●					
24/410	ABA285	150 250			●	●		●	●					●		●	●		
	AA355	150	●	●											●				
SPECIAL	LUXEA	150					●	●											●

# PURITY AB226

NECK: GCM1 20/400HS

COLLAR: PP (SHINY FINISH)

PP + ALUMINUM OVERSHELL  
(SHINY/MATT FINISH)

## AVAILABLE ACTUATORS



### Pearl 175

Material: Copolyester  
Dosage: 150µl  
Finish: Shiny  
Unlocked System



### Smile 175

Material: PP  
Dosage: 150µl  
Finish: Shiny  
Unlocked System



## AVAILABLE OVERCAPS



### AB226

Material: PP



### AB226

Material: PP + Aluminum overshell

## SPECIFIC ACCESSORY



### Safety Clip for Pearl 175

Material: PP  
Finish: Matt

# PURITY AB285

NECK: GCM1 20/400HS  
COLLAR: PP (SHINY FINISH)

## AVAILABLE ACTUATORS



### Smart Horizon 152

Material: PP  
Dosages: 150 - 230µl  
Finish: Shiny/Matt  
Unlocked System



### Smart Horizon 175

Material: PP  
Dosages: 150 - 250µl  
Finish: Shiny  
Unlocked System



### Pearl 175

Material: Copolyester  
Dosages: 150 - 250µl  
Finish: Shiny  
Unlocked System



### Smile 175

Material: PP  
Dosages: 150 - 250µl  
Finish: Shiny  
Unlocked System



## AVAILABLE OVERCAPS



### Horizon 20

Material: SAN  
Not available for all dosages



### AB285 Piatto 20

Material: SAN



### AB285 Basso 20

Material: SAN  
Not available for all dosages



### AB285 Piatto 24

Material: PP  
Available for Smart Horizon 152 only

# PURITY AA355

NECK: GCM1 24/410  
COLLAR: PP (SHINY FINISH)

## AVAILABLE ACTUATORS



### Pearl 223

Material: Copolyester  
Dosage: 150µl  
Finish: Shiny  
Unlocked System



### Smile 223

Material: PP  
Dosage: 150µl  
Finish: Shiny  
Unlocked System



## AVAILABLE OVERCAPS



### AA355

Material: SAN  
Finish: Shiny/Matt



### AA355

Material: PP

# PURITY ABA285

NECK: GCM1 24/410  
COLLAR: PP (SHINY FINISH)  
FOR SMART HORIZON 152 MATT FINISH ONLY

## AVAILABLE ACTUATORS



### Aura Crema 175

Material: PP  
Dosage: 150µl  
Finish: Shiny  
Unlocked System

### Smart Horizon 152

Material: PP  
Dosage: 150µl  
Finish: Matt  
Unlocked System

### Smart Horizon 175

Material: PP  
Dosage: 250µl  
Finish: Shiny  
Unlocked System

### Smile 175

Material: PP  
Dosage: 250µl  
Finish: Shiny  
Unlocked System



## AVAILABLE OVERCAPS



### Horizon 24

Material: SAN  
Not available for all actuators



### Horizon Dustcover

Material: PP  
Not available for all dosages



### AB285 Piatto 24

Materials: SAN - PP

# PURITY LUXEA

NECK: SPECIAL  
COLLAR: PP (SHINY FINISH)

## AVAILABLE ACTUATORS



### Pearl 175

Material: Copolyester  
Dosage: 150µl  
Finish: Shiny  
Unlocked System



### Smile 175

Material: PP  
Dosage: 150µl  
Finish: Shiny  
Unlocked System



## AVAILABLE OVERCAP



### Luxea 312

Material: SAN

# SMART PUMPS





# SMART LOTION & SPRAY PUMP

THE PARTNER OF A WIDE RANGE OF VISCOSITY,  
FROM LIQUID TO THICK



## KEY BENEFITS

- Wide range of designs, collars, actuators and overcaps
- 3 dosages: 250 - 350 - 500µl
- Engine available for lotion or spray

### OVERCAPS

NECK	COLLAR	DOSAGE (µl)	AB226 PP/ALUMINUM	AB262 PP/ALUMINUM	HORIZON 20	AB285 PIATTO 20	AB285 BASSO 20	AB285 PIATTO 24	AA355	HORIZON 24	HORIZON DUSTCOVER	ELEGANT 20	SAFETY CLIP for PEARL 175	LUXEA 312	ELEGANT SMART AA298	AA302	AA302 DUSTCOVER	AA302 EXTRA THICK	JOLI 315	CARMEN 152	CARMEN 175	
20/400	AB226 PP or ALU	250-350	●										●									
	AB285	250-350-500			●	●	●	●														
	ELEGANT	250										●										
	CARMEN	250-350-500																			●	●
24/410	AB262 PP or ALU	250-350-500		●																		
	AB277 ALUM	250-350-500						●		●												
	ABA285	250-350-500						●		●	●											
	AA298	250-350-500													●							
	AA302	250-350-500														●	●	●				
	AA355	250-350							●													
	VANITY	500																				
SNAP-ON	JOLI	250-350-500																	●			
SPECIAL	LUXEA	250												●								

# SMART AB226

NECK: GCMI 20/400HS

COLLAR: PP (SHINY FINISH)

PP + ALUMINUM OVERSHELL  
(SHINY/MATT FINISH)

## AVAILABLE ACTUATORS



LOTION

### Aura Crema 175

Material: PP  
Dosage: 250µl  
Finish: Shiny  
Unlocked System  
No overcap available



### Pearl 175

Material: Copolyester  
Dosages: 250 - 350µl  
Finish: Shiny  
Unlocked System



### Smile 175

Material: PP  
Dosages: 250 - 350µl  
Finish: Shiny  
Unlocked System



SPRAY

### Aura Spray 175

Material: PP  
Dosages: 250 - 350µl  
Finish: Shiny  
Unlocked System



## AVAILABLE OVERCAPS



### AB226

Material: PP



### AB226

Material: PP + Aluminum overshell

## SPECIFIC ACCESSORY



### Safety Clip for Pearl 175

Material: PP  
Finish: Matt

# SMART AB285

NECK: GCMI 20/400HS  
COLLAR: PP (SHINY FINISH)

## AVAILABLE ACTUATORS



LOTION

### Aura Crema 175

Material: PP  
Dosages: 250 - 350 - 500µl  
Finish: Shiny  
Unlocked System



### Smart Horizon 152

Material: PP  
Dosages: 250 - 350µl  
Finish: Shiny/Matt  
Unlocked System



### Smart Horizon 175

Material: PP  
Dosages: 250 - 350 - 500µl  
Finish: Shiny  
Locked System



### Pearl 175

Material: Copolyester  
Dosages: 250 - 350 - 500µl  
Finish: Shiny  
Unlocked System



### Smile 175

Material: PP  
Dosages: 250 - 350 - 500µl  
Finish: Shiny  
Unlocked System



SPRAY

### Aura Spray 175

Material: PP  
Dosages: 250 - 350 - 500µl  
Finish: Shiny  
Unlocked System



## AVAILABLE OVERCAPS



### Horizon 20

Material: SAN  
Not available for all dosages



### AB285 Piatto 20

Material: SAN



### AB285 Basso 20

Material: SAN  
Not available for all dosages



### AB285 Piatto 24

Material: PP  
Available for Smart Horizon 152 only

# SMART CARMEN

NECK: GCMI 20/400HS  
 COLLAR: PP (SHINY FINISH)

## AVAILABLE ACTUATORS

### LOTION

#### Aura Crema 175

Material: PP  
 Dosages: 250 - 350 - 500µl  
 Finish: Shiny  
 Unlocked System



#### Smart Horizon 152

Material: PP  
 Dosage: 250µl  
 Finish: Shiny/Matt  
 Unlocked System



#### Smart Horizon 175

Material: PP  
 Dosages: 250 - 350 - 500µl  
 Finish: Shiny  
 Locked System



### SPRAY

#### Aura Spray 175

Material: PP  
 Dosages: 250 - 350 - 500µl  
 Finish: Shiny  
 Unlocked System



## AVAILABLE OVERCAPS



#### Carmen 152

Material: SAN  
 Available for Smart Horizon 152 only

#### Carmen 175

Materials: SAN - PP

# SMART ELEGANT

NECK: GCM1 20/400HS  
COLLAR: PP (MATT FINISH)

## AVAILABLE ACTUATOR

 LOTION

### Smart Horizon 152

Material: PP  
Dosage: 250µl  
Finish: Shiny/Matt  
Unlocked System



## AVAILABLE OVERCAP



### Elegant 20

Material: SAN

# SMART AA298

NECK: GCM1 24/410  
COLLAR: PP (SHINY FINISH)

## AVAILABLE ACTUATORS

### LOTION

#### Aura Crema 175

Material: PP  
Dosages: 250 - 350 - 500µl  
Finish: Shiny  
Unlocked System



#### Smart Horizon 175

Material: PP  
Dosages: 250 - 350 - 500µl  
Finish: Shiny  
Locked System



#### Smile 175

Material: PP  
Dosages: 250 - 350 - 500µl  
Finish: Shiny  
Unlocked System



### SPRAY

#### Aura Spray 175

Material: PP  
Dosages: 250 - 350 - 500µl  
Finish: Shiny  
Unlocked System



## AVAILABLE OVERCAP



#### Elegant Smart AA298

Material: SAN

# SMART AA302

NECK: GCM1 24/410  
COLLAR: PP (SHINY FINISH)

## AVAILABLE ACTUATORS

### LOTION

#### Aura Crema 175

Material: PP  
Dosages: 250 - 350 - 500µl  
Finish: Shiny  
Unlocked System



#### Smart Horizon 175

Material: PP  
Dosages: 250 - 350 - 500µl  
Finish: Shiny  
Locked System



#### Pearl 175

Material: Copolyester  
Dosages: 250 - 350 - 500µl  
Finish: Shiny  
Unlocked System



#### Smile 175

Material: PP  
Dosages: 250 - 350 - 500µl  
Finish: Shiny  
Unlocked System



### SPRAY

#### Aura Spray 175

Material: PP  
Dosages: 250 - 350 - 500µl  
Finish: Shiny  
Unlocked System



## AVAILABLE OVERCAPS



#### AA302

Material: SAN



#### AA302 Dustcover

Materials: SAN - PP



#### AA302 Extra Thick

Material: SAN

# SMART AA355

NECK: GCM1 24/410  
COLLAR: PP (SHINY FINISH)

## AVAILABLE ACTUATORS



### Pearl 223

Material: Copolyester  
Dosages: 250 - 350µl  
Finish: Shiny  
Unlocked System



### Smile 223

Material: PP  
Dosages: 250 - 350µl  
Finish: Shiny  
Unlocked System



## AVAILABLE OVERCAPS



### AA355

Material: SAN  
Finish: Shiny/Matt



### AA355

Material: PP



# SMART AB262

NECK: GCM1 24/410  
COLLAR: PP (SHINY FINISH)  
PP + ALUMINUM OVERSHELL  
(SHINY/MATT FINISH)

## AVAILABLE ACTUATORS



### Pearl 223

Material: Copolyester  
Dosages: 250 - 350 - 500µl  
Finish: Shiny  
Unlocked System



### Smile 223

Material: PP  
Dosages: 250 - 350 - 500µl  
Finish: Shiny  
Unlocked System



## AVAILABLE OVERCAPS



### AB262

Material: PP



### AB262

Material: PP + Aluminum overshell

# SMART AB277

NECK: GCMI 24/410

COLLAR: PP + ALUMINUM OVERSHELL  
(SHINY/MATT FINISH)

## AVAILABLE ACTUATORS



LOTION

### Aura Crema 175

Material: PP  
Dosages: 250 - 350 - 500µl  
Finish: Shiny  
Unlocked System



### Smart Horizon 175

Material: PP  
Dosages: 250 - 350 - 500µl  
Finish: Shiny  
Locked System



### Pearl 175

Material: Copolyester  
Dosages: 350 - 500µl  
Finish: Shiny  
Unlocked System



### Smile 175

Material: PP  
Dosages: 250 - 350 - 500µl  
Finish: Shiny  
Unlocked System



SPRAY

### Aura Spray 175

Material: PP  
Dosages: 250 - 350 - 500µl  
Finish: Shiny  
Unlocked System



## AVAILABLE OVERCAPS



### AB285 Piatto 24

Material: SAN



### Horizon 24

Material: SAN  
Not available for all dosages

# SMART ABA285

NECK: GCMI 24/410

COLLAR: PP (SHINY FINISH)

FOR SMART HORIZON 152 MATT FINISH ONLY

## AVAILABLE ACTUATORS

### LOTION

#### Aura Crema 175

Material: PP  
Dosages: 250 - 350 - 500µl  
Finish: Shiny  
Unlocked System



#### Smart Horizon 152

Material: PP  
Dosage: 250µl  
Finish: Matt  
Unlocked System



#### Smart Horizon 175

Material: PP  
Dosages: 250 - 350 - 500µl  
Finish: Shiny  
Locked System



#### Pearl 175

Material: Copolyester  
Dosages: 250 - 500µl  
Finish: Shiny  
Unlocked System



#### Smile 175

Material: PP  
Dosages: 250 - 350 - 500µl  
Finish: Shiny  
Unlocked System



### SPRAY

#### Aura Spray 175

Material: PP  
Dosages: 250 - 350 - 500µl  
Finish: Shiny  
Unlocked System



## AVAILABLE OVERCAPS



#### Horizon 24

Material: SAN  
Not available for all dosages



#### Horizon Dustcover

Material: PP  
Not available for all dosages



#### AB285 Piatto 24

Materials: SAN - PP  
For Aura Spray 175, only PP version

# SMART VANITY

NECK: GCM1 24/410

COLLAR: PP (SHINY FINISH)

PP + ALUMINUM OVERSHELL  
(SHINY/MATT FINISH)

## AVAILABLE ACTUATOR

 LOTION

### Vanity

Material: Copolyester

Dosage: 500µl

Finish: Shiny

Locked System



# SMART JOLI

NECK: SNAP ON  
COLLAR: PP (SHINY FINISH)

## AVAILABLE ACTUATOR

 LOTION

### Smile 223

Material: PP  
Dosages: 250 - 350 - 500µl  
Finish: Shiny  
Unlocked System



## AVAILABLE OVERCAP



### Joli 315

Materials: SAN - PP

# SMART LUXEA

NECK: SPECIAL  
COLLAR: PP (SHINY FINISH)

## AVAILABLE ACTUATORS

### LOTION

#### **Pearl 175**

Material: Copolyester  
Dosage: 250µl  
Finish: Shiny  
Unlocked System



#### **Smile 175**

Material: PP  
Dosage: 250µl  
Finish: Shiny  
Unlocked System



### SPRAY

#### **Aura Spray 175**

Material: PP  
Dosage: 250µl  
Finish: Shiny  
Unlocked System



## AVAILABLE OVERCAP



#### **Luxea 312**

Material: SAN

# HORIZON PUMPS





# HORIZON

## LOTION & SPRAY PUMP

THE APPROPRIATE PARTNER FOR PRECISE  
AND LOCAL TREATMENT



### KEY BENEFITS

- Small dosages for Lip Care and Eye Care: 130 - 190µl
- Available in small batches (low MOQs)
- Prestressed pump: ideal for heavy and thick formulas
- Customization: flat or rounded collars and overcaps

			 ACTUATORS			 OVERCAPS							
NECK	COLLAR	DOSAGE (µl)	HORIZON 152	ER 15 PP	ER 15 PP / ALUMINUM	BEAUTY D24	HORIZON 20	HORIZON DUSTCOVER	HORIZON 24	AB285 BASSO 20	AB285 PIATTO 20	AB285 PIATTO 24	ELEGANT 20
18/415	18/415	130-190	●			●							
20/400	ROUNDED SHOULDER	130-190	●	●	●		●			●	●		
	CLIP ON SHOULDER	130-190	●	●	●		●	●		●			
	ELEGANT	130-190	●	●	●								●
24/410	ROUNDED SHOULDER	130-190	●	●	●			●	●			●	
	CLIP ON SHOULDER	130-190	●	●	●				●			●	

# HORIZON 18/415

NECK: GCM1 18/415  
COLLAR: PP (SHINY FINISH)

## AVAILABLE ACTUATOR

 LOTION

### Horizon 152

Material: PP  
Dosages: 130 - 190µl  
Finish: Shiny  
Unlocked System



## AVAILABLE OVERCAP



### Beauty D24

Material: SAN

# HORIZON 20/400

WITH CLIP ON SHOULDER

NECK: GCM1 20/400HS  
COLLAR: PP (MATT FINISH)

## AVAILABLE ACTUATORS

### LOTION

#### Horizon 152

Material: PP  
Dosages: 130 - 190µl  
Finish: Matt  
Unlocked System



### SPRAY

#### ER15

Materials: PP  
PP + Aluminum overshell  
Dosages: 130 - 190µl  
Finish: Shiny  
Unlocked System



## AVAILABLE OVERCAPS



#### Horizon 20

Material: SAN



#### Horizon Dustcover

Material: PP



#### AB285 Basso 20

Material: SAN

# HORIZON 20/400

WITH ROUNDED SHOULDER

NECK: GCMI 20/400HS  
COLLAR: PP (SHINY FINISH)

## AVAILABLE ACTUATORS



### Horizon 152

Material: PP  
Dosages: 130 - 190µl  
Finish: Shiny  
Unlocked System



### ER15

Materials: PP  
PP + Aluminum overshell  
Dosages: 130 - 190µl  
Finish: Shiny  
Unlocked System



## AVAILABLE OVERCAPS



### Horizon 20

Material: SAN



### AB285 Piatto 20

Material: SAN



### AB285 Basso 20

Material: SAN

# HORIZON ELEGANT

NECK: GCM1 20/400HS  
COLLAR: PP (MATT FINISH)

## AVAILABLE ACTUATORS

### LOTION

#### Horizon 152

Material: PP  
Dosages: 130 - 190µl  
Finish: Shiny/Matt  
Unlocked System



### SPRAY

#### ER15

Materials: PP  
PP + Aluminum overshell  
Dosages: 130 - 190µl  
Finish: Shiny  
Unlocked System



## AVAILABLE OVERCAP



#### Elegant 20

Material: SAN

# HORIZON 24/410

WITH CLIP ON SHOULDER

NECK: GCM1 24/410

COLLAR: PP (MATT FINISH)

## AVAILABLE ACTUATORS

### LOTION

#### Horizon 152

Material: PP  
Dosages: 130 - 190µl  
Finish: Matt  
Unlocked System



### SPRAY

#### ER15

Materials: PP  
PP + Aluminum overshell  
Dosages: 130 - 190µl  
Finish: Shiny  
Unlocked System



## AVAILABLE OVERCAPS



#### Horizon 24

Material: SAN



#### Horizon Dustcover

Material: PP



#### AB285 Piatto 24

Material: SAN  
For ER15 also PP version

# HORIZON 24/410

WITH ROUNDED SHOULDER

NECK: GCM1 24/410

COLLAR: PP (SHINY FINISH)

## AVAILABLE ACTUATORS

### LOTION

#### Horizon 152

Material: PP  
Dosages: 130 - 190µl  
Finish: Shiny  
Unlocked System



### SPRAY

#### ER15

Materials: PP  
PP + Aluminum overshell  
Dosages: 130 - 190µl  
Finish: Shiny  
Unlocked System



## AVAILABLE OVERCAPS



#### Horizon 24

Material: SAN



#### AB285 Piatto 24

Material: SAN





# TWIST & CLICK


## TWIST & CLICK

THE IDEAL PARTNER FOR A WIDE RANGE  
OF PERSONAL CARE APPLICATION



### KEY BENEFITS

- Large dosages: 1cc - 1,5cc - 2cc - 3cc
- Different actuators designed for easy handling:  
Classic, Surf, Professional
- Suitable for any formulation  
(Baby Care, Hair Care, Body Care, Sun Care, Hygiene...)

	DOSAGE (cc)				 ACTUATORS		
	1	1,5	2	3	CLASSIC	PROFESSIONAL	SURF
NECK							
24/410	●	●	●	●	●	●	●
28/400	●	●	●	●	●	●	●
28/410	●	●	●	●	●	●	●

# TWIST & CLICK

NECKS: GCM1 24/410  
24/415  
28/400  
28/410

COLLAR: PP (MILLED FINISH)

## AVAILABLE ACTUATORS

### Classic

Material: PP  
Dosages: 1cc - 1,5cc - 2cc - 3cc  
Finish: Shiny  
Locked System



### Professional

Material: PP  
Dosages: 1cc - 1,5cc - 2cc - 3cc  
Finish: Shiny  
Locked System



### Surf

Material: PP  
Dosages: 1cc - 1,5cc - 2cc - 3cc  
Finish: Shiny  
Locked System



# COSMETIC DROPPERS



# COSMETIC DROPPER

THE PERFECT PARTNER FOR THE MOST LIQUID  
AND DELICATE FORMULAS



## KEY BENEFITS

- Large choice: wide range of necks available (EU4, EU5, GCM1 20/400HS, GCM1 24/410, GCM1 13/415, GCM1 18/415)
- Ergonomy: existing in two versions, Cosmetic and Push Down Button Droppers
- Large choice of materials for the rubber
- Specific anti-ox rubber on request for black color
- Customization: tige A or tige B

		COSMETIC DROPPERS			PUSH DOWN BUTTON DROPPERS				
		20/400		24/410	13/415	18/415	24/410	EU4	EU5
		AB226	AB285	270	13/415	18/415	24/410	EU4	EU5
DOSAGE (µl)		600	500	500	130	200	400	130	200
RUBBER	NATURAL	●	●		●	●	●	●	●
	NITRILE	●	●		●	●	●	●	●
	TPE			●					
COLLAR	PCTA	●							
	PP		●						
	PP+ALU	●							
	PP+ABS				●	●	●	●	●
	UREA			●					
TIGE (GLASS)	A	●	●	●	●	●	●	●	●
	B	●	●	●	●	●	●	●	●
	CAPILLARY			●					

# DROPPER AB226

NECK: GCM1 20/400HS

COLLAR: PCTA (SHINY FINISH)  
PP + ALUMINUM OVERSHELL  
(SHINY/MATT FINISH)

RUBBERS: NATURAL  
NITRILE

## AVAILABLE TIGES

### TIGE A

Material: GLASS  
Dosage: 600µl



### TIGE B

Material: GLASS  
Dosage: 600µl



# DROPPER AB285

NECK: GCM1 20/400HS  
COLLAR: PP (SHINY FINISH)  
RUBBERS: NATURAL  
NITRILE

## AVAILABLE TIGES

### TIGE A

Material: GLASS  
Dosage: 500µl



### TIGE B

Material: GLASS  
Dosage: 500µl



## AVAILABLE OVERCAPS



### Horizon Dustcover

Material: PP



### Horizon 20

Material: SAN



### AB285 Basso 20

Material: SAN



### AB285 Piatto 20

Material: SAN

# DROPPER 270

NECK: GCM1 24/410  
COLLAR: UREA (SHINY FINISH)  
RUBBER: TPE

## AVAILABLE TIGES

### TIGE A

Material: GLASS  
Dosage: 500 $\mu$ l



### TIGE B

Material: GLASS  
Dosage: 500 $\mu$ l



### TIGE CAPILLARY

Material: GLASS  
Dosage: 500 $\mu$ l





# DROPPER PUSH DOWN BUTTON 13/415

NECK: GCM1 13/415  
BUTTON: ABS  
COLLAR: PP + ABS (SHINY FINISH)  
RUBBERS: NATURAL  
NITRILE

## AVAILABLE TIGES

### TIGE A

Material: GLASS  
Dosage: 130µl



### TIGE B

Material: GLASS  
Dosage: 130µl



# DROPPER PUSH DOWN BUTTON 18/415

NECK: GCM1 18/415  
BUTTON: ABS  
COLLAR: PP + ABS (SHINY FINISH)  
RUBBERS: NATURAL  
NITRILE

## AVAILABLE TIGES

### TIGE A

Material: GLASS  
Dosage: 200µl



### TIGE B

Material: GLASS  
Dosage: 200µl



# DROPPER PUSH DOWN BUTTON 24/410

NECK: GCM1 24/410  
BUTTON: ABS  
COLLAR: PP + ABS (SHINY FINISH)  
RUBBERS: NATURAL  
NITRILE

## AVAILABLE TIGES

### TIGE A

Material: GLASS  
Dosage: 130µl



### TIGE B

Material: GLASS  
Dosage: 130µl



# DROPPER PUSH DOWN BUTTON EU4

NECK: EU4

BUTTON: ABS

COLLAR: PP + ABS (SHINY FINISH)

RUBBERS: NATURAL

NITRILE

## AVAILABLE TIGES

### TIGE A

Material: GLASS

Dosage: 130µl



### TIGE B

Material: GLASS

Dosage: 130µl



# DROPPER PUSH DOWN BUTTON EU5

NECK: EU5

BUTTON: ABS

COLLAR: PP + ABS (SHINY FINISH)

RUBBERS: NATURAL  
NITRILE

## AVAILABLE TIGES

### TIGE A

Material: GLASS  
Dosage: 200µl



### TIGE B

Material: GLASS  
Dosage: 200µl



# AVAILABLE OVERCAPS

# OUR RANGE OF OVERCAPS



**AA302 Dustcover**  
Materials: SAN - PP



**AA302**  
Material: SAN



**AA302 Extra Thick**  
Material: SAN



**AB262**  
Material: PP



**AB226**  
Material: PP



**AB285 Piatto 20**  
**AB285 Basso 20**  
Material: SAN



**AB285 Piatto 24**  
Materials: SAN - PP



**Elegant 20**  
Material: SAN



**Elegant Smart**  
**AA298**  
Material: SAN



**Horizon Dustcover**  
Material: PP



**Horizon 20**  
Material: SAN



**Horizon 24**  
Material: SAN



**Carmen 152**  
Material: SAN



**Carmen 175**  
Materials: SAN - PP



**Joli 535**  
Material: PP



**Joli 315**  
Materials: SAN - PP



**Joli 440**  
Material: PP



**AA355**  
Materials: SAN - PP



**Luxea 312**  
**Luxea 336**  
Material: SAN



**Luxea 470**  
**Luxea 575**  
Material: PP



**Keira**  
Material: PP

**LUMSON ITALY - HEADQUARTERS**

Via Tesino, 62/64 26010 - Capergnanica (CR)

Ph. +39 0373 2331

Fax +39 0373 23 33 55

**LUMSON FRANCE**

Ph. +33 (0)4 42 900 360

france@lumson.com

**LUMSON USA**

Ph. +1 516 829 0570

usa@lumson.com

**LUMSON DEUTSCHLAND**

Ph. +49 (0)89 230 35 218

deutschland@lumson.com

**LUMSON IBERIA**

Ph. +34 93 867 63 75

iberia@lumson.com

**LUMSON UK**

Ph. +44 7971 572958

uk@lumson.com

**LUMSON CENTRAL EUROPE**

Ph. +48 12 257 13 44

centraleurope@lumson.com

**LUMSON RUSSIA**

russia@lumson.com

LUMSON.COM

LUMSON@LUMSON.COM